

Total No. of Questions :6]

SEAT No. :

P5055

[Total No. of Pages : 2

T.E./Insem.-604
T.E. (Civil Engineering)
STRUCTURAL ANALYSIS - II
(2015 Pattern)

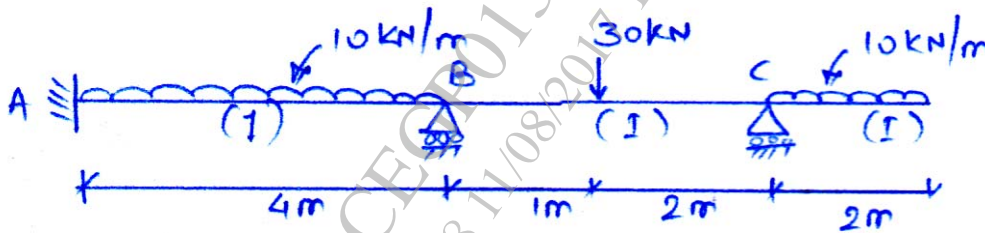
Time : 1 Hour]

[Max. Marks :30

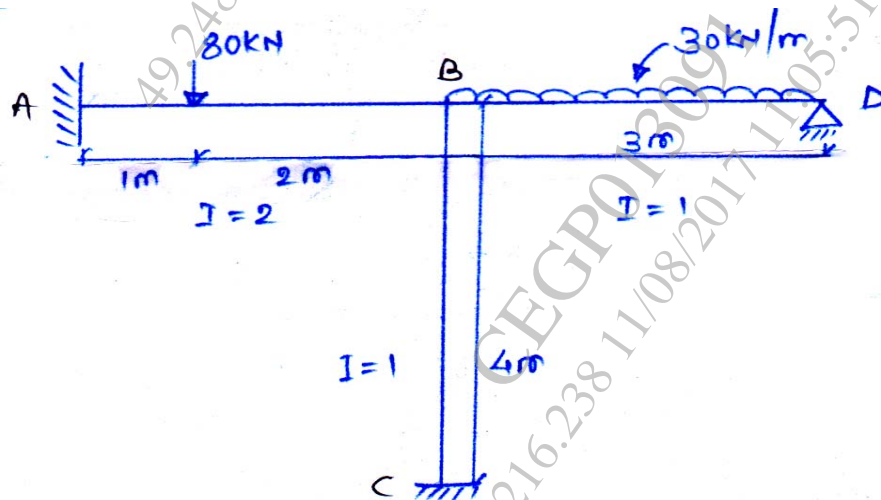
Instructions to the candidates:

- 1) Solve Q1 or Q2, Q3 or Q4, Q5 or Q6.
- 2) Figures to the right indicate full marks.
- 3) Assume suitable data, if necessary.
- 4) Use of calculator is allowed.

Q1) Analyse the continuous beam ABCD by slope deflection method. Draw BMD. [10]

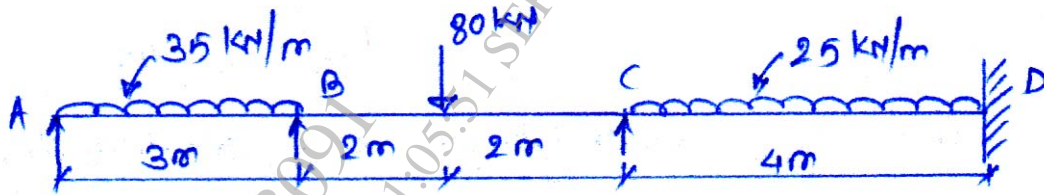


Q2) Analyse the portal frame shown in fig. by slope deflection method. Draw BMD. [10]

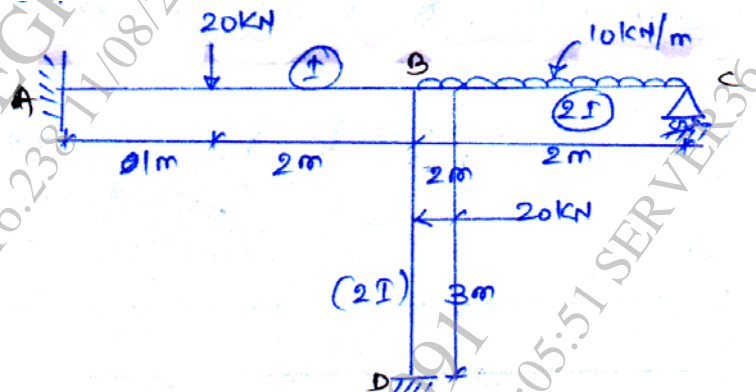


P.T.O.

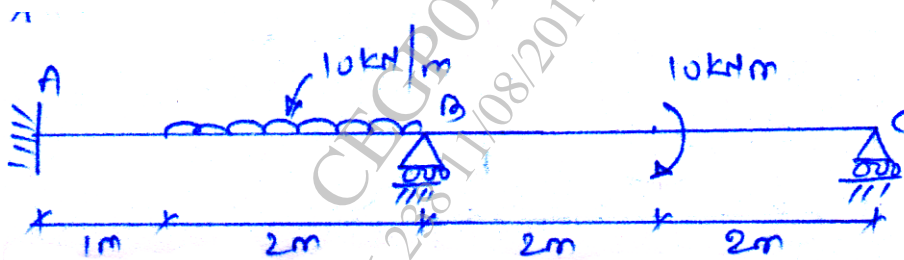
Q3) Analyse the continuous beam by moment distribution method. Draw BMD. [10]



Q4) Analyse the frame shown in fig. by the moment distribution method. Draw BMD. [10]



Q5) Analyse the beam shown in fig. by flexibility method. Draw BMD. [10]



Q6) Analyse the frame shown in fig. by flexibility method. [10]

